



BEYOND SECURITY

KABA[®]

Charon Turnstiles

Stylish access control

«The inauguration of our new head office was a great success. The entrance hall is spacious, transparent and open. Rather than clashing, the access control units blend in perfectly with the interior design.»





Transparent Charon Half-height Turnstiles

In prestigious entrance areas, VIP rooms or at the access to the executive suite, the motor-driven Charon turnstiles efficiently control access and esthetically complete any interior.

Design

Transparent glass - perfected by high-quality stainless steel - gives the motor-driven turnstiles their radiant look. The transparent models elegantly integrate in vintage and modern buildings.

Versatility

The space-saving turnstiles look attractive even as multiple installation. Glas turnstiles are exclusively designed for the interior. A stainless steel variant without glass elements is also suitable for outdoor installation.

Handicapped Access/Goods Transport

Access for wheelchairs and goods transports can be realized with a swing door integrated in the turnstile or separate.

Minimal Energy Consumption

The quiet low-energy drive consumes only very little energy and due to the low forces minimizes the risk of injury for the users.

Throughput rate	=	up to 25 per minute
Security level	=	●●○○○
Comfort	=	●●○○○
Personal safety	=	●●●●○
Staff supervision	=	yes



Automatic Charon swing doors in matching design offer a fitting solution for handicapped access.

Advantages of Charon Turnstiles

The necessities of users and operators as well as the structural environment are crucial for decision-making.

- > Smooth, silent start-up
- > Low power consumption
- > Elegant, transparent design
- > Space-saving even as multiple installation
- > Comfortable passage owing to servo positioning drive
- > Barrier-free solutions with automatic swing doors in corresponding design
- > Swing doors suitable for escape route installation
- > Versatile design of glass wings, guiding elements and bar handles
- > Direction of passage/denial of passage in case of power failure can be defined
- > Optional adjustment of height up to 1200 mm

The fitting solution for any entrance situation



Multiple installation in foyer - within eyeshot of reception staff



With matching swing door as barrier-free solution



Space-saving solution with integrated swing door for goods access



Matching combination: warm wood, glass and stainless steel



A narrow entrance situation elegantly solved with Charon

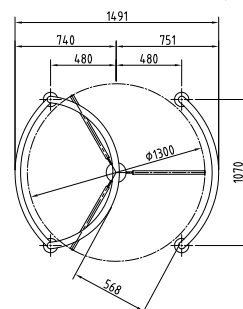
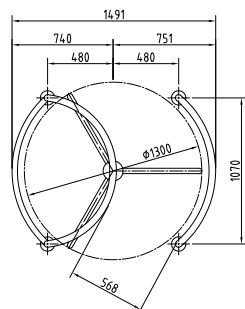
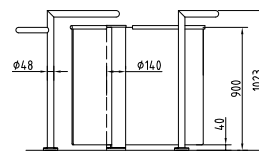
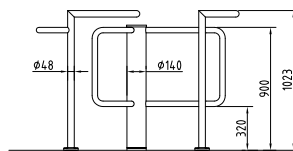


Special design with increased height of glass wings

Basic Equipment



	HTS-E01	HTS-E03
Construction	Material	Stainless steel AISI 304.
	Side enclosure in stainless steel	Mitred Ø 48 mm.
	Guiding element	Stainless steel.
	Rotating unit	With tubular column, Ø 140 mm made of stainless steel. With three barrier elements, Ø 40 mm, made of curved stainless steel tube. Locking system, drive and toothed holding brake installed in tubular column.
Finish	Stainless steel satin finish.	Stainless steel satin finish.
	Function	Type 2 power assisted motion; servo-positioning drive / 2 directions electrically controlled. Own choice of access side inwards right or inwards left.
Electric	Control unit in external switch cabinet H = 283 / W = 168 / D = 115 (mm).	Control unit in external switch cabinet H = 283 / W = 168 / D = 115 (mm).
	Power supply 110 - 230 VAC, 50/60 Hz.	Power supply 110 - 230 VAC, 50/60 Hz.
	In case of power failure both directions free.	In case of power failure both directions free.
	Standby power consumption 15 VA.	Standby power consumption 15 VA.
Installation	Dowelled on finished floor level FFL.	Dowelled on finished floor level FFL.
	Suitable for outdoor installation!	Not suitable for outdoor installation!
Protection class	Housing IP 43, components conducting supply voltage IP 54.	

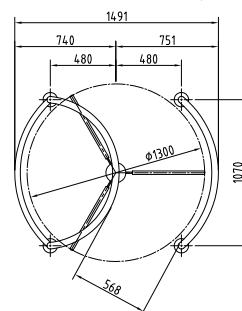
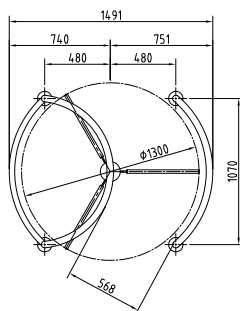
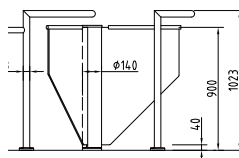
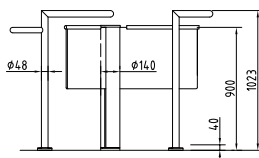


Options



HTS-E03 with option
"three half-height barrier elements"

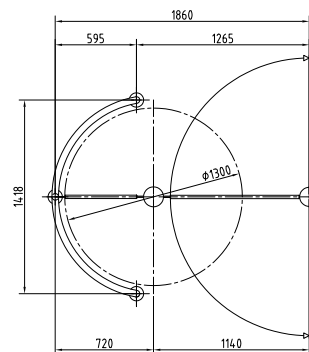
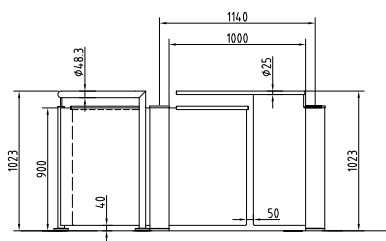
HTS-E03 with option
"three bevelled barrier elements"



Basic Equipment



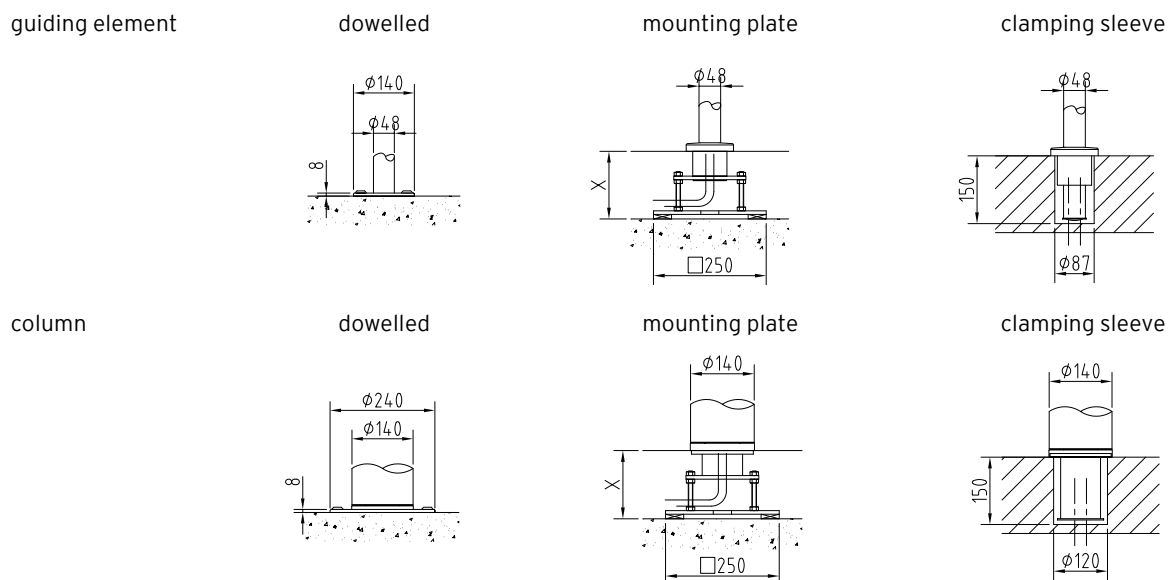
		HTS-M01
Construction	Material	Stainless steel AISI 304 toughened glass 10 mm.
	Side enclosure in stainless steel	Mitred with curved toughened glass 8 mm Ø 48 mm.
	Guiding element	Stainless steel.
	Rotating unit	180°, with tubular column, Ø 140 mm, made of stainless steel. With two tall glass elements and stainless steel bar handles. Locking system, drive and toothed holding brake installed in tubular column.
	Swing door HTS-M01	With tubular column, Ø 140 mm, made of stainless steel AISI 304 with one tall glass element and stainless steel bar handle.
Finish		Stainless steel satin finish.
Function		Type 2 power assisted motion; servo-positioning drive/ 2 directions electrically controlled. Own choice of access side inwards right or inwards left.
Electric		Two control units in external switch cabinet H = 283 / W = 168 / D = 115 (mm).
		Power supply 110 - 230 VAC, 50/60 Hz.
		In case of power failure both directions free.
		Standby power consumption 15 VA.
Installation		Dowelled on finished floor level FFL.
		Not suitable for outdoor installation!



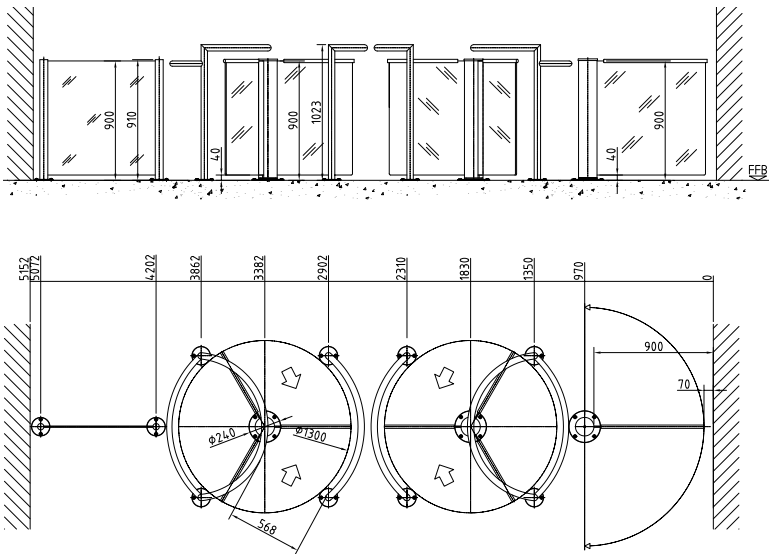
Options (depending on unit type and motor assembly)

	HTS-E01	HTS-E03	HTS-M01
Construction			
Guiding element in curved glass.	•	•	
Three bevelled barrier elements.		•	
Three half-height barrier elements.		•	
Function			
Random generator with horn.	•	•	•
Electrical Components			
Installation preparation with adapter or mounting plate.	•	•	•
Consoles with adapter in plastic or aluminium (available in stainless steel with additional charge).	•	•	•
Push button in tubular stainless steel console for manual single release.	•	•	•
Operating panels and frames or housings for surface installation.	•	•	•
Additional I/O boards to expand existing inputs and outputs.	•	•	•
End wiring distributor (connection of max. four OPLs possible).	•	•	•
Installation			
On subconstruction with mounting plate X = 80 - 180 mm for structural floor level.	•	•	•
With cast in clamping sleeves.	•	•	•

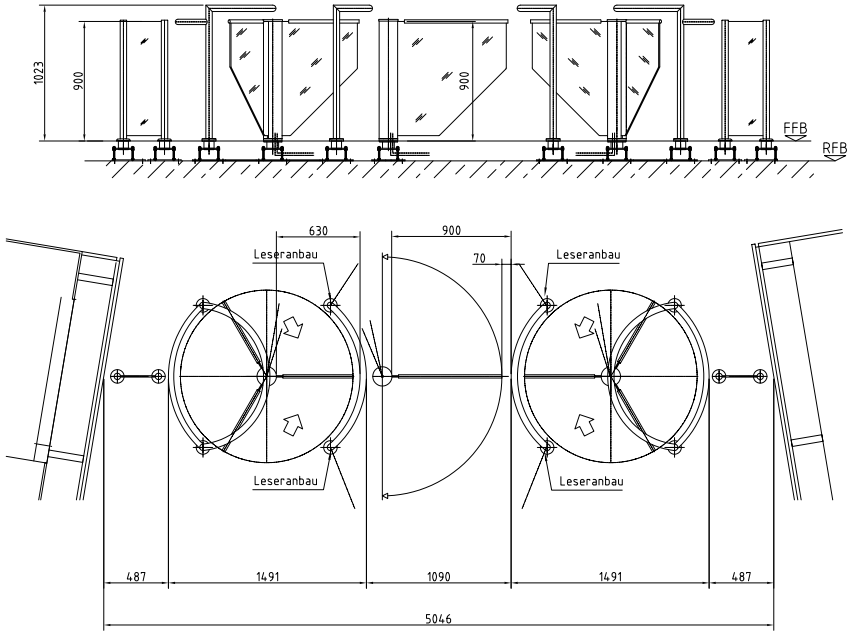
Installation variants



Arrangement of Units



for instance HTS-E03



for instance HTS-E03 with option "three bevelled barrier elements"



BEYOND SECURITY